



FEATURES & BENEFITS

Customizable inserts	✓
Mechanical type test	✓
Electrical type test	✓

APPLICATION

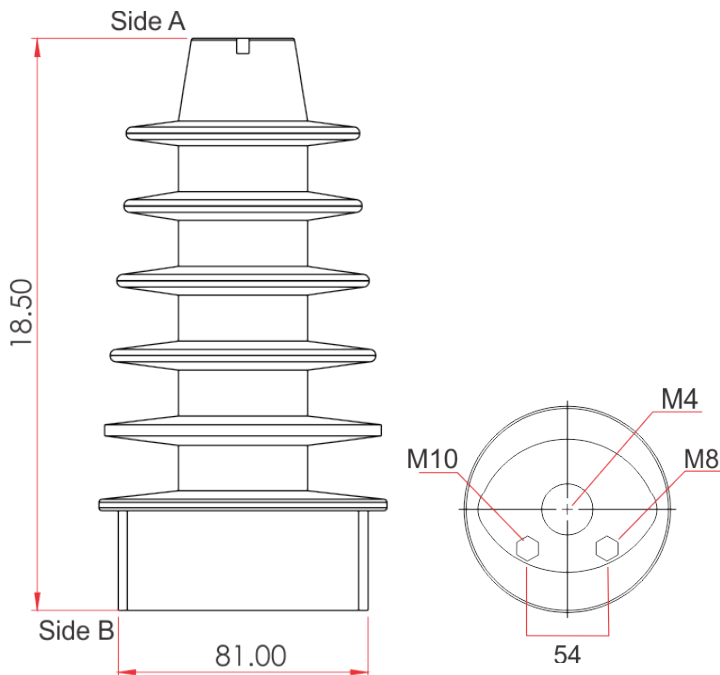
- Mounting and supporting busbar in switchboards and switchgears .
- Voltage indicating systems

MECHANICAL CHARETRISTICHS

Material	Body : BMC (polyester resine composite reinforces with glass fiber) threaded insert: steel alloy
Operating temp. (°C)	-20 to + 60
Nominal recommended tightening torque [Nm]	M08: 15 M10: 32

ELECTRICAL DATA

Nominal voltage(KV)	20
Power frequency withstand voltage.dry (IEC) (KV)	50
Lightning impulse withstand voltage (IEC) (KV)	125



DIMENSIONS

PRODUCT CODE	H(mm)	D(mm)	INSERTS		CREEPAGE DISTANCE (mm)	REFERENCE STANDARD
			sideA	sideB		
SHMv20Kv	185	81	M10	2M08+M04	375	IEC60660 - IEC60273
CAP-SHMv20Kv	185	81	M10	2M08+M04	375	IEC60660 - IEC60273